

# BATTERIES



**NEXT**

## **Batteries**

Alkacell .....	286
Alkaline .....	286, 287
Carbon-Zinc .....	286, 287
Coin Cell .....	286, 287
Computer .....	286-288
Electronic .....	286-288
General Purpose .....	286, 287
Greenell .....	286
Industrial .....	286, 287
Lantern .....	286, 287
Lead-Acid .....	285
Lithium .....	286-288
Magnum .....	288
Ni-Cad .....	286, 287
Photo .....	286-288
Rechargeable .....	285-287
Silver Oxide .....	286
Supercell .....	286
Sealed Lead-Acid .....	285
Zinc-Chloride .....	286

## **Battery**

### **Back-Up Systems**

Field Replacement Battery .....	350
Line Conditioners .....	349
Power Alert Software .....	349
UPS Systems .....	349, 350

## **Battery (cont.)**

### **Chargers**

9 Volt .....	286, 287
AA .....	286, 287
AAA .....	286, 287
C .....	286, 287
D .....	286, 287
Nickel-Cadmium .....	286
Sealed Lead-Acid .....	285

### **Clips**

Aluminum .....	291
PC .....	291
Self-Anchoring .....	291
Snap-On .....	291
Steel .....	291

### **Holders**

Coin Cell .....	291
PC .....	291
6 Volt .....	291
9Volt .....	290, 291
AA .....	290, 291
AAA .....	290
C .....	290, 291
D .....	290, 291
N .....	290

### **Snaps**

Dual .....	289
Mini .....	289

## **Battery (cont.)**

### **Snaps (cont.)**

Molded .....	289
PCB Snap-Ons .....	289
Rivits .....	289
Snaps .....	289
Standard .....	289
Vertical PC Connector .....	289

## **Polarity Indicator Labels .....**291

## **Rechargeable Batteries .....**285-287

## **Rivet / Snap .....**289

## **Sealed Lead-Acid Batteries .....**285

## **SMD Battery Holders .....**291

## **Manufacturers:**

Eagle Picher .....	285, 288
Eagle Plastics .....	289, 290
Eveready .....	287
GP Batteries .....	286
Keystone Electronics .....	289, 291
Powersonic .....	285, 286
Renata .....	287
Tripp Lite .....	349
Ultralife .....	288
Waber .....	350

**Main  
Menu**

**New  
This Issue**

**Products**

**Vendors**

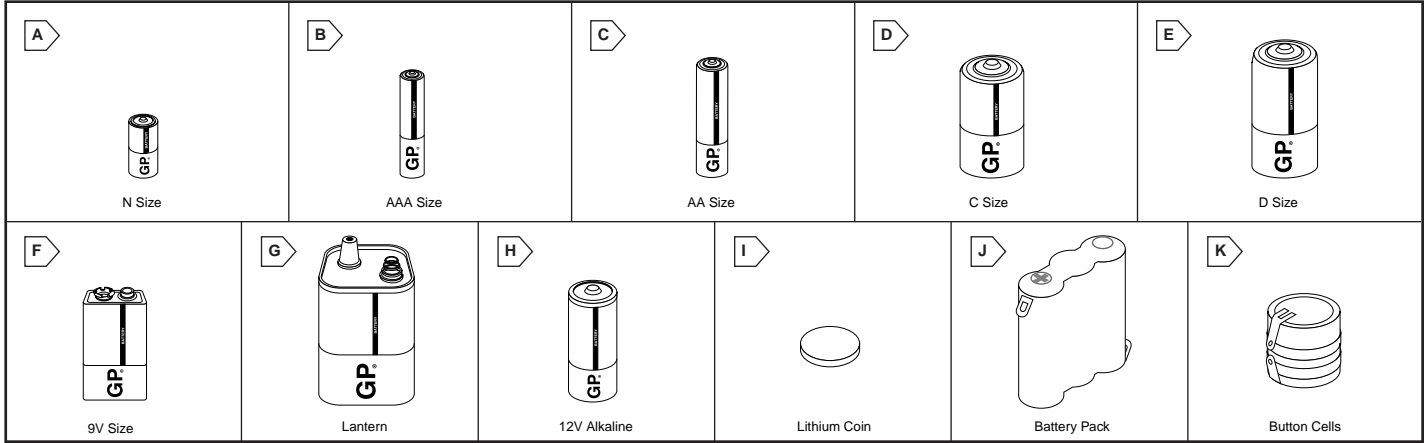
**Service**

**Spec  
Sheets**

**Help**



# Batteries



## GP ALKACELL (Top Performance Alkaline)

- Reduced mercury content (less than .025% of total weight)
- Long storage life
- Lasts up to seven times as long as ordinary carbon-zinc batteries

MOUSER STOCK NO.	Fig.	Size	Volts	Cross Reference		Price Each				Call For Quote
				Eveready	IEC	1	100	500	1000	
573-910A	A	N	1.5	E90	LR1	.86	.65	.60		Call For Quote
573-24A	B	AAA	1.5	E92	LR03	.60	.45	.40		
573-15A	C	AA	1.5	E91	LR6	.59	.39	.33		
573-14A	D	C	1.5	E93	LR14	1.28	.99	.93		
573-13A	E	D	1.5	E95	LR20	1.88	1.50	1.41		
573-1604A	F	9V	9.0	522	6LF22	1.66	1.31	1.26		

## GP HIGH VOLTAGE (Alkaline)

- Hard-to-find battery
- Photo, remote controllers, and lighter applications

MOUSER STOCK NO.	Fig.	Dimensions (In.)		Volts	Capacity (mAh)	Price Each			
		Dia.	Ht.			1	10	100	500
573-23A	H	.39	1.12	12	33	.88	.83	.71	Call

## GP LITHIUM COIN

- Out performs alkalines
- Long service life
- For watches, calculators, computer memory back-up

MOUSER STOCK NO.	Fig.	Dia.	Ht.	Volts	Capacity (mAh)	1	10	100	500	Call For Quote
573-CR2016	I	.79	.06	3	70	1.05	.94	.84	Call	For Quote
573-CR2025	I	.79	.10	3	120	1.16	1.04	.92	For	
573-CR2032	I	.79	.13	3	170	1.05	.94	.84	Quote	

## GP GREENCELL (Extra Heavy Duty Zinc Chloride, 0% Mercury)

- Contains 0% mercury
- More powerful than ordinary carbon zinc batteries
- Long lasting, can be recycled

MOUSER STOCK NO.	Fig.	Size	Volts	Cross Reference		Price Each				Call For Quote
				IEC	JIS	1	100	500	1000	
573-24G	B	AAA	1.5	R03	SUM-4	.39	.26	.24		Call For Quote
573-15G	C	AA	1.5	R6	SUM-3	.40	.31	.23		
573-14G	D	C	1.5	R14	SUM-2	.58	.45	.36		
573-13G	E	D	1.5	R20	SUM-1	.72	.60	.53		
573-1604G	F	9V	9.0	6F22	S-006P	.99	.79	.69		

## GP NI-CAD (Rechargeable)

- Long life
  - Sealed, strong, leakproof construction
  - Excellent discharge characteristics
- For quantities greater than listed, call for quote.

MOUSER STOCK NO.	Fig.	Size	Volts	Capacity (mAh)	Price Each			
					1	10	25	100
573-30AAK	---	2/3 AA	1.2	300	1.55	1.39	1.19	.99
573-60AAK	C	AA	1.2	600	1.60	1.49	1.36	1.20
573-70AAK	C	AA	1.2	700	1.85	1.69	1.55	1.39
573-80AAK	C	AA	1.2	800	2.39	2.09	1.85	1.60
573-95AAK	C	AA	1.2	950	3.09	2.77	2.57	1.98
573-15F8K	F	9V	8.4	150	7.99	6.99	6.29	6.00

## GP SUPERCCELL (Heavy Duty Carbon Zinc)

- For all electronic applications
- High performance you can afford
- Good storage life
- Extended service life

MOUSER STOCK NO.	Fig.	Size	Volts	Cross Reference		Price Each				Call For Quote
				Eveready	IEC	1	100	500	1000	
573-15S	C	AA	1.5	1215	R6	.31	.21	.19		Call For Quote
573-14S	D	C	1.5	1235	R14	.47	.37	.30		
573-13S	E	D	1.5	1250	R20	.60	.48	.40		
573-1604S	F	9V	9.0	1222	6F22	.74	.58	.48		

### Spring Top

MOUSER STOCK NO.	Fig.	Size	Volts	Cross Reference		Price Each			
				Eveready	IEC	1	6	12	24
573-908S	G	Lantern	6.0	509	4R25	2.64	2.38	1.94	Call

## GP NI-CAD BATTERY PACKS

### Cross-Reference

Part No.: 573-30AAK3B1P (can be used for):

AT&T NOMAD 600, 800  
 Panasonic: KX-T3800, KX-T3805, KX-T3805-A,  
 KX-T3805-B, KX-T3822-A, KX-T3822-B, KX-T3823,  
 KX-T3832, KX-T3835  
 Sanyo: TH500, 900, TH101S, TD2000, TTH5100,  
 TH5200, CLT6300

Part No.: 573-60AAK3BP (can be used for):

AT&T NOMAD 200, 250, 400  
 COBRA: 15S, 99S, 100S/SA, 120S/SA, 130S/SA,  
 140S/SA, 200S, 205S/SA, 210S, 220S, 250S, 260S,  
 301S, 310S, 320S, 330S, 355S, 440S, 450S, 460S,  
 477S, 1105A, 4403, 4405S  
 Panasonic: 800, 3821, 3831, KX-36A, KX-T3815,  
 KX-T3815-A, KX-T3825, KX-T3842, KX-T3845,  
 KX-T3880, VA7020

- For cordless devices
- Solder tabs for easy hook-up

MOUSER STOCK NO.	Fig.	Size	Volts	Capacity (mAh)	1	10	50	100	Call For Quote
573-30AAK3B1P	J	3 x 2/3 AA	3.6	300	4.99	4.50	3.99	Call	For Quote
573-60AAK3BP	J	3 x AA	3.6	600	4.99	4.50	3.99	For	
573-280BNK3A1H	K	3 x button cells	3.6	280	3.99	3.88	3.11	Quote	

## POWER PS SONIC RECHARGEABLE BATTERIES

### Nickel-Cadmium

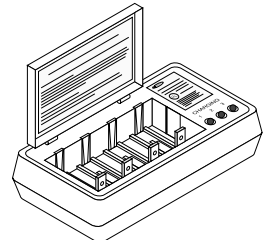


MOUSER STOCK NO.	Size	Description	Nominal Voltage	Capacity 5 Hr. Rate (mAh)	Std. Charge		Price Each				Call For Quote
					(mA)	(HRS)	1	10	20	50	
547-PS-AAA	AAA	Std. button top	1.2	180	18	15	2.15	1.95	1.74		Call For Quote
547-PS-AAA-T	AAA	With solder tabs	1.2	180	18	15	2.55	2.40	2.32		
547-PS-AA	AA	Std. button top	1.2	600	50	15	1.65	1.50	1.38		
547-PS-AA-T	AA	With solder tabs	1.2	600	50	15	2.25	1.99	1.85		
547-PS-SC	SC	Std. button top	1.2	1300	120	15	2.90	2.60	2.39		
547-PS-SC-T	SC	With solder tabs	1.2	1300	120	15	3.60	3.42	2.88		
547-PS-C	C	Std. button top	1.2	2000	180	15	5.00	4.50	4.06		
547-PS-C-T	C	With solder tabs	1.2	2000	180	15	5.95	5.33	5.04		
547-PS-D	D	Std. button top	1.2	4000	400	15	8.50	7.60	6.89		

## NICKEL-CADMIUM BATTERY CHARGER

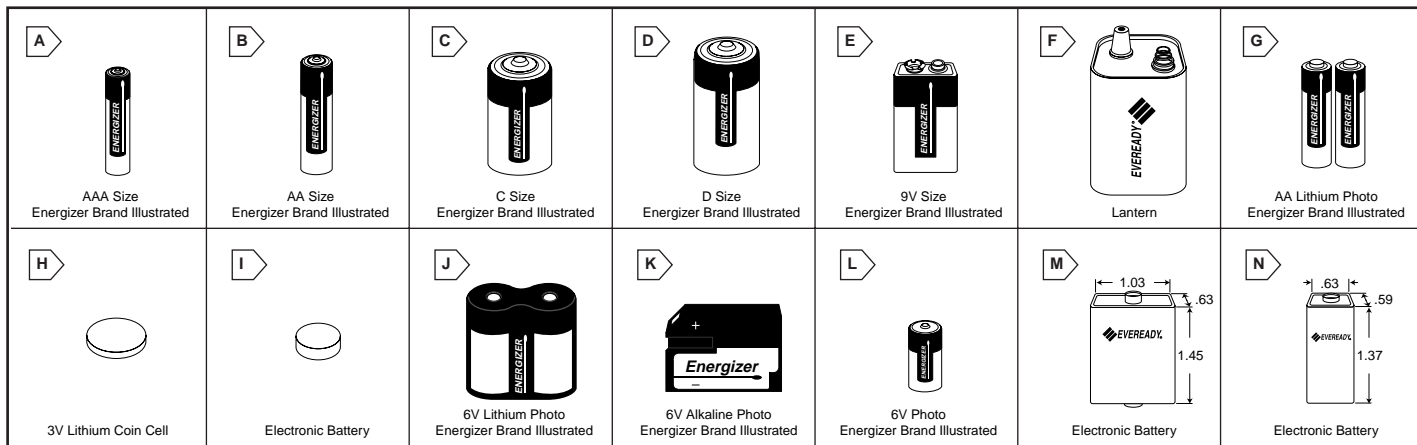
### Features:

- Fully automatic operation
- Cannot over charge
- Uses 110-120V household current with LED lamps to indicate when charger is charging
- Recharges 2 or 4 of any size AAA, AA, C, D, or one 9V cell at a time
- Charging time: AAA, AA (4-6 hours); 9V (12-14 hours); C, D (14-18 hours)



MOUSER STOCK NO.	Description	Price Each		
		1	10	100
41AC301	For use with AAA, AA, C, D, or rectangular 9V	14.55	13.67	Call

# Batteries



## ENERGIZER LONG LIFE ALKALINE

- Recommended for heavy drain / frequent use
- Eveready's longest lasting power source

MOUSER STOCK NO.	Fig.	Size	Volts	Type	Price Each			
					1	10	100	500
525-E92	A	AAA	1.5	Alkaline	1.72	1.38	1.29	Call For Quote
525-E91	B	AA	1.5	Alkaline	1.72	1.38	1.29	
525-E93	C	C	1.5	Alkaline	2.44	1.95	1.83	
525-E95	D	D	1.5	Alkaline	2.44	1.95	1.83	
525-522	E	9V	9.0	Alkaline	4.87	3.90	3.65	

## GENERAL PURPOSE BATTERIES

- Recommended for low to moderate drain applications
- Economy
- Dependability
- Good shelf life

MOUSER STOCK NO.	Fig.	Size	Volts	Type	Price Each			
					1	10	100	500
525-1015	B	AA	1.5	Carbon-Zinc	.63	.50	.47	Call For Quote
525-935	C	C	1.5	Carbon-Zinc	.72	.58	.54	
525-950	D	D	1.5	Carbon-Zinc	.72	.58	.54	
525-216	E	9V	9.0	Carbon-Zinc	1.44	1.15	1.08	

## NICKEL-CADMIUM RECHARGEABLE BATTERIES

- Good high and low temperature performance
- Reusable hundreds of times

MOUSER STOCK NO.	Fig.	Size	Volts	Nominal Capacity	Price Each			
					1	10	100	500
525-CH15	B	AA	1.2	650mAh	5.55	4.44	4.16	Call For Quote
525-CH35	C	C	1.2	1.8Ah	6.97	5.58	5.23	
525-CH50	D	D	1.2	1.8Ah	6.97	5.58	5.23	
525-CH22	E	9V	7.2	120mAh	13.97	11.18	10.48	

## ENERGIZER INDUSTRIAL ALKALINE BATTERIES

- Recommended for heavy drain and extra temperature applications
- Open dated and "best if used by" dating system

MOUSER STOCK NO.	Fig.	Size	Volts	Type	Price Each			
					1	25	100	500
525-EN92	A	AAA	1.5	Alkaline	1.15	.92	.86	Call For Quote
525-EN91	B	AA	1.5	Alkaline	1.15	.92	.86	
525-EN93	C	C	1.5	Alkaline	1.73	1.38	1.30	
525-EN95	D	D	1.5	Alkaline	1.94	1.55	1.46	
525-EN22	E	9V	9.0	Alkaline	3.40	2.72	2.55	

## INDUSTRIAL BATTERIES

- Heavy Duty
- Recommended for moderate drain application
- Long lasting performance

MOUSER STOCK NO.	Fig.	Size	Volts	Type	Price Each			
					1	25	100	500
525-EV115	B	AA	1.5	Carbon-Zinc	.56	.45	.42	Call For Quote
525-EV135	C	C	1.5	Carbon-Zinc	.70	.56	.53	
525-EV150	D	D	1.5	Carbon-Zinc	.74	.59	.56	
525-EV122	E	9V	9.0	Carbon-Zinc	1.77	1.42	1.33	

## General Purpose

MOUSER STOCK NO.	Fig.	Size	Volts	Type	Price Each			
					1	25	100	500
525-EV15	B	AA	1.5	Carbon-Zinc	.46	.37	.35	Call For Quote
525-EV35	C	C	1.5	Carbon-Zinc	.60	.48	.45	
525-EV50	D	D	1.5	Carbon-Zinc	.66	.53	.50	
525-EV22	E	9V	9.0	Carbon-Zinc	1.22	.98	.92	
525-EV90	F	Lantern	6.0	Carbon-Zinc	3.12	2.93	2.83	

## ENERGIZER LITHIUM PHOTO CELL

- High energy density, long life power source
- Up to a 10 year shelf life
- Good low and high temperature operations
- Package quantity: 2

MOUSER STOCK NO.	Fig.	Size	Volts	Type	1	6.37	5.97	Call
525-L91BP-2	G	AA	1.5	Lithium	7.96	6.37	5.97	Call

## LITHIUM COIN CELLS

- 10 year estimated shelf life
- High energy density

MOUSER STOCK NO.	Fig.	Volts	Thickness Dimensions (In.)	Type	Price Each			
					1	10	100	500
525-E-CR2016BP	H	3	.063	Lithium	1.89	1.51	1.42	Call
525-E-CR2025BP	H	3	.098	Lithium	1.89	1.51	1.42	For Quote
525-E-CR2032BP	H	3	.126	Lithium	1.89	1.51	1.42	Quote

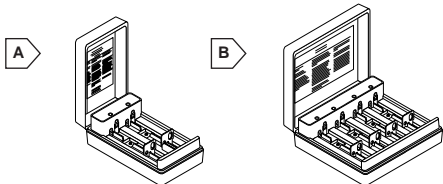
## ELECTRONIC BATTERIES

- High energy density, long life power source
- Long storage life
- Available in silver oxide, lithium, carbon-zinc, and alkaline

MOUSER STOCK NO.	Fig.	Volts	Type	Price Each			
				1	10	100	500
525-A76BP	I	1.5	Alkaline	1.26	1.01	.95	Call For Quote
525-EPX76BP	J	1.5	Silver Oxide	3.82	3.06	2.87	
525-2L76BP	J	3.0	Lithium	5.21	4.17	3.91	
525-EL223ABP	I	6.0	Lithium	17.26	13.81	12.95	
525-539BP	K	6.0	Alkaline	4.73	3.78	3.55	
525-A544BP	L	6.0	Alkaline	4.85	3.88	3.64	
525-L544BP	L	6.0	Lithium	9.39	7.51	7.04	
525-411	M	15.0	Carbon-Zinc	7.52	7.05	6.82	
525-504	N	15.0	Carbon-Zinc	4.86	4.56	4.41	

## EVEREADY BATTERY CHARGERS

- Features:
  - Two different types available, 3 hour and 5 hour
  - Cannot over charge
  - LED light indicates when batteries are charging



For quantities greater than listed, call for quote.

MOUSER STOCK NO.	Fig.	Description	Price Each	
			1	6
525-QCC-4	A	Charges 1-2 9V in 10 hrs.; Charges 2-4 AA, AAA, C, D in 3 hrs.	29.19	26.29
525-FCC-8	B	Charges 1-4 9V in 10 hrs.; Charges 2-8 AA, AAA, C, D in 5 hrs.	31.12	27.99



\* Priced per package of 2

MOUSER STOCK NO.	Volts	Nominal Capacity	Chemical System	Dimensions (mm)	Replaces	Price Each		
						1	10	100
614-301	1.55	120mAh	Silver Oxide	11.6 x 4.2	SR43, SR1142, SR43SW	1.25	1.09	.93
614-303	1.55	175mAh	Silver Oxide	11.6 x 5.4	SR44, SR1154, SR44SW	1.56	1.36	1.16
614-357	1.55	190mAh	Silver Oxide	11.6 x 5.4	SR44, SR1154, SR44W	2.84	2.48	2.10
614-362	1.55	24mAh	Silver Oxide	7.9 x 2.1	SR58, SR721, SR721SW	.85	.74	.63
614-364	1.55	22mAh	Silver Oxide	6.8 x 2.1	SR60, SR621, SR621SW	.71	.62	.53
614-371	1.55	38mAh	Silver Oxide	9.5 x 2.1	SR69, SR921, SR920SW	.85	.74	.63
614-377	1.55	30mAh	Silver Oxide	6.8 x 2.6	SR66, SR626, SR626SW	.91	.79	.67
614-379	1.55	16mAh	Silver Oxide	5.8 x 2.1	SR63, SR521, SR521SW	1.05	.91	.78
614-386	1.55	130mAh	Silver Oxide	11.6 x 4.2	SR43, SR1142, SR43W	1.05	.91	.78
614-389	1.55	80mAh	Silver Oxide	11.6 x 3.1	SR54, SR1130, SR1130W	.88	.77	.65
614-391	1.55	50mAh	Silver Oxide	11.6 x 2.1	SR55, SR1120, SR1120W	.82	.72	.61
614-392	1.55	45mAh	Silver Oxide	7.9 x 3.6	SR41, SR736, SR41W, D392	.57	.50	.42
614-393	1.55	80mAh	Silver Oxide	7.9 x 5.4	SR48, SR754, SR754W	.94	.82	.69
614-CR1225	3	48mAh	Lithium	12.5 x 2.5	BR1225	1.51	1.32	1.12
614-CR1616	3	50mAh	Lithium	16.0 x 1.6	CR1616, BR1616, DL1616	1.32	1.15	.98
614-CR2016	3	75mAh	Lithium	20.0 x 1.6	CR/BR2016, DL2016, SB-T11	1.32	1.15	.98
614-CR2025	3	148mAh	Lithium	20.0 x 2.5	CR2025, DL2025, SB-T14	1.32	1.15	.98
614-CR2032	3	200mAh	Lithium	20.0 x 3.2	CR2320, CR/BR2320	1.32	1.15	.98
614-CR2325	3	190mAh	Lithium	23.0 x 2.5	BR2325, SB-T12	1.67	1.45	1.24
614-LR44	1.5	105mAh	Alkaline	11.6 x 5.4	LR44, LR1154, V13GA	1.72	1.50	1.28

# Lithium Batteries

## EAGLE PITCHER BATTERIES

### Features:

- Stainless steel construction for corrosion resistance
- Hermetically sealed to ensure long life and non leakage at high temperatures
- Flat discharge characteristics
- Stand-by power for 10 years and more
- Wave solderability up to 5 seconds
- Years of low-rate, continuous use
- Unrestricted shipping

## KEPER II LITHIUM BATTERIES

For quantities greater than listed, call for quote.

MOUSER STOCK NO.	Fig.	Description	Dimensions (In.)			Wt. (Gms.)	Price Each		
			L	W	T		1	10	50
521-3PN	A	3.5V 350mAH	.60	.65	.25	4.0	5.60	5.40	4.85
521-3PNS2	B	3.5V 350mAH	.65	.25	.60	4.0	5.09	4.92	4.41
521-3PNS4	C	3.5V 350mAH	.60	.25	.65	4.0	5.35	5.17	4.63
521-7P	D	3.5V 750mAH	1.20	.70	.35	9.0	6.10	5.90	5.29
521-7PN	E	3.5V 750mAH	1.00	.65	.25	6.8	5.94	5.74	5.15
521-7PNS4	F	3.5V 750mAH	.65	.25	1.00	6.8	5.65	5.46	4.90
521-7PNS6	G	3.5V 750mAH	1.00	.25	.65	6.8	5.80	5.60	5.02
521-16PCOF511	H	3.5V 1.6AH	1.86	.66	.66	25.0	7.92	7.56	6.86

## KEPER II MAGNUM™ BATTERIES

For quantities greater than listed, call for quote.

MOUSER STOCK NO.	Fig.	Description	Dimensions (In.)			Wt. (Gms.)	Price Each		
			L	W	T		1	10	50
521-16M	I	3.5V 1.6AH	1.71	.99	.37	20	8.69	8.30	7.53
521-16MS2	J	3.5V 1.6AH	1.50	.90	.28	16	8.53	8.14	7.40

## TIME KEEPER™ COMPUTER BATTERIES

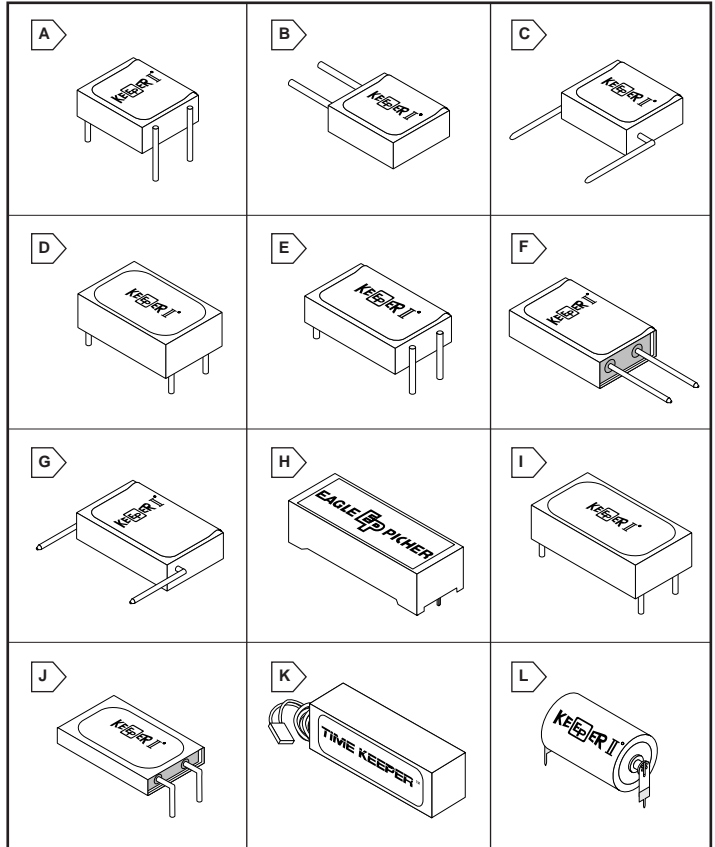
For quantities greater than listed, call for quote.

MOUSER STOCK NO.	Fig.	Description	Dimensions (In.)			Wt. (Gms.)	Price Each		
			L	W	T		1	10	50
521-16PCOF57	K	3.65V 1.6AH	1.90	.70	.72	30.0	9.58	9.26	8.30

## KEPER II CYLINDRICAL BATTERIES

For quantities greater than listed, call for quote.

MOUSER STOCK NO.	Fig.	Description	Size	Dimensions (In.)		Wt. (Gms.)	Price Each		
				L	D		1	10	50
521-9CPT	L	3.6V .95AH	1/2 AA	.985	.540	8.6	6.75	6.53	5.87



## ULTRALIFE™ LITHIUM 9-VOLT BATTERY

The Ultimate In Long Life! More than twice the capacity and can last up to four times as long as premium alkaline batteries in most applications.

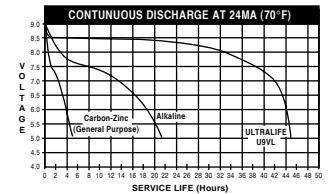
MOUSER STOCK NO.	Dimensions (In.)			Price Each		
	W	H	L	1	12	24
5169-U9VL-FP	.674	1.933	1.039	6.16	5.78	5.58

### Features:

- Long shelf life - up to 10 years
- Environmentally responsible - contains no mercury, cadmium, or lead
- Ideal for medical equipment, instrumentation, security/alarm systems
- Packaged in lithium foil package

### Specifications:

- Weight: 1.35 oz.
- Rating: 1,200 mAh
- Temperature range: -40°C to +70°C



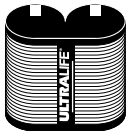
## ULTRALIFE™ LITHIUM PHOTO /COMPUTER BATTERIES

For quantities greater than listed, call for quote.

MOUSER STOCK NO.	Description	Price Each		
		1	12	24
5169-UB123ABP	2/3A 3V lithium	3.60	3.38	3.26
5169-UB223ABP	6V lithium photo	7.20	6.75	6.53
5169-UB2CR5BP	6V lithium photo	7.20	6.75	6.53

### Features:

- Environmentally responsible - contains no mercury, cadmium, or lead
- Delivers exceptionally high energy over a wide temperature range
- Fits cameras and flashes that use 3V or 6V lithium batteries
- Provides back-up for many personal computers



3 Volt

6 Volt

6 Volt

## ULTRALIFE™ THIN CELL™ LITHIUM 3-VOLT BATTERIES

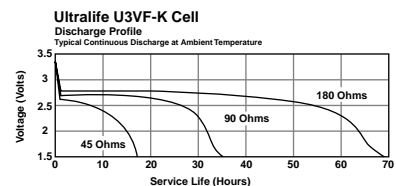
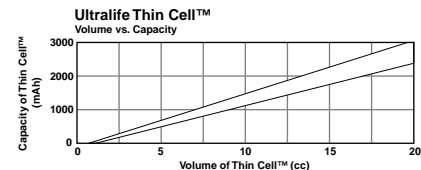
Water thin - as thin as .020 inch (.5mm) - Ideal for multiple applications: "smart cards", toll collection transponders, electronic inventory identification tags - any device that demands compact, efficient, high-energy batteries. With their prismatic form factor and high ratio of active materials to packaging, Thin Cells™ can fill virtually any battery cavity super-efficiently. Thin Cells™ operate from -20°C to +50°C and can deliver over 150mAh of capacity per cubic centimeter of active material. U3VF-K cell has "window" contacts, with tab contacts available. U3VF-L-T cell comes only with tab contacts.

### Features:

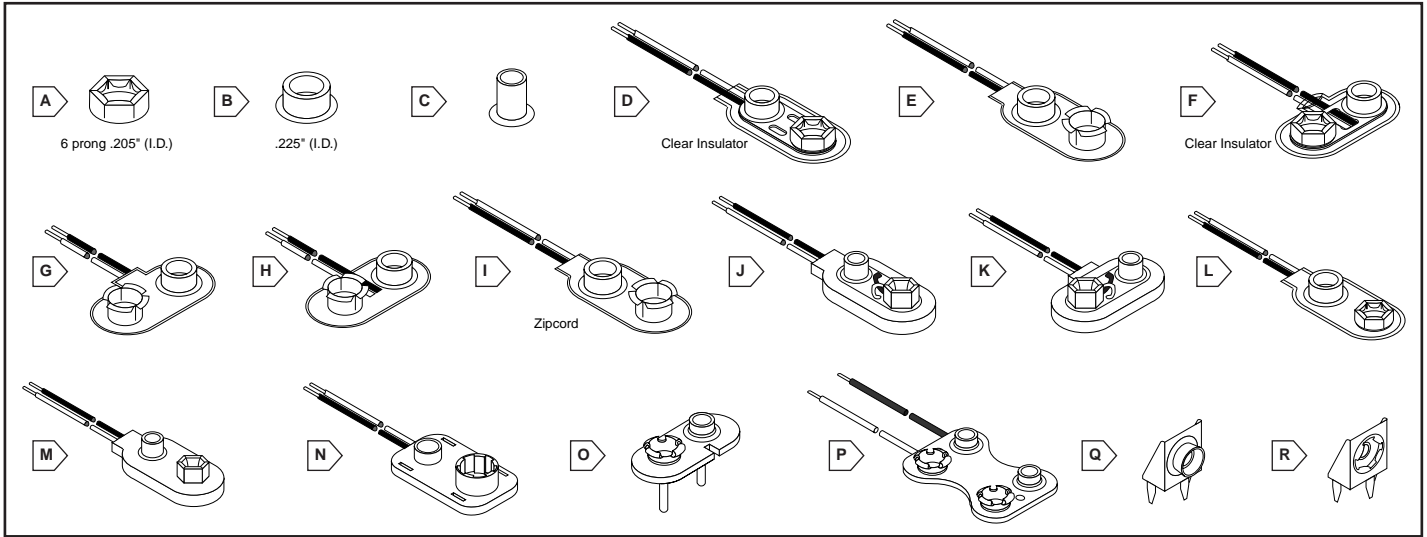
- Operate from -20°C to +85°C
- Light weight
- Lithium-manganese dioxide chemistry
- Contains no mercury, cadmium, lead, or other toxic metals

For quantities greater than listed, call for quote.

MOUSER STOCK NO.	Dimensions (In.)	Price Each		
		1	12	24
5169-U3VF-L-T	1.52 x 1.18 x .08	5.00	4.25	4.00
5169-U3VF-K	2.90 x 1.81 x .09	6.00	5.10	4.80



# 9V Battery Snaps



## Largest selection of battery snaps available.

Over a million pieces in stock. Stocked in all types shown below. For use with standard 9 volt battery. All leads are stripped and pre-tinned. All are fully insulated and contacts are nickel plated brass. Leads are polarity color coded. All except "molded" type, feature PVC plastic insulation over a base of vulcanized fiber board.

- Standard 9 volt size (.5" snap spacing)
- Available with 4, 5, or 6 prong contacts
- Black (except where noted)
- Available in 22, 24, and 26 AWG stranded lead wires
- Male snap .225" (O.D.)
- Female snap .205" (I.D.)

## EAGLE MINI BATTERY SNAPS AND RIVETS

- Rivets can be applied to PC boards, battery holders, battery packs, etc.

MOUSER STOCK NO.	Fig.	Description	Price Each			
			10	100	1000	10,000
12BC269	A	Mini battery female snap	.03	.024	.022	Call
12BC261	B	Mini battery male snap	.03	.024	.022	For Quote
48BC001	C	Mini rivet for snap	.03	.024	.022	For Quote

## STANDARD BATTERY SNAPS

MOUSER STOCK NO.	Fig.	Wire Size	Lead Length (In.)	Contacts	Price Each			
					1	100	1000	10,000
12BC310	D	26 AWG	4	6 Prong	.33	.24	.19	Call For Quote
12BC309	D	26 AWG	6	6 Prong	.37	.26	.20	
12BC005	E	26 AWG	4	4 Prong	.28	.20	.15	
12BC025	E	26 AWG	5	4 Prong	.28	.20	.15	
12BC009	E	26 AWG	6	4 Prong	.28	.20	.15	
12BC008	E	26 AWG	8	4 Prong	.29	.21	.16	
12BC013	E	26 AWG	10	4 Prong	.31	.22	.17	
12BC012	E	26 AWG	12	4 Prong	.39	.28	.21	
12BC311	F	26 AWG	4	6 Prong	.39	.28	.21	
12BC006	G	26 AWG	4	4 Prong	.31	.22	.17	
12BC095	G	26 AWG	5	4 Prong	.31	.22	.17	
12BC092	G	26 AWG	6	4 Prong	.31	.22	.17	
12BC002	G	26 AWG	8	4 Prong	.32	.23	.18	
12BC096	G	26 AWG	10	4 Prong	.33	.24	.19	
12BC003	G	26 AWG	12	4 Prong	.44	.32	.23	

- UL listed wire

12BC104	E	26 AWG	4	4 Prong	.37	.26	.20	Call For Quote
12BC106	E	26 AWG	6	4 Prong	.39	.28	.21	
12BC110	E	26 AWG	10	4 Prong	.44	.32	.23	
12BC134	E	24 AWG	4	4 Prong	.42	.30	.22	
12BC136	E	24 AWG	6	4 Prong	.44	.31	.23	
12BC140	E	24 AWG	10	4 Prong	.49	.35	.26	
12BC154	E	22 AWG	4	4 Prong	.44	.32	.23	
12BC156	E	22 AWG	6	4 Prong	.49	.35	.26	
12BC160	E	22 AWG	10	4 Prong	.54	.40	.29	
12BC124	G	26 AWG	4	4 Prong	.37	.26	.20	
12BC126	G	26 AWG	6	4 Prong	.39	.28	.21	
12BC130	G	26 AWG	10	4 Prong	.44	.32	.23	
121-2204	H	26 AWG	4	4 Prong	.37	.26	.20	
121-2206	H	26 AWG	6	4 Prong	.39	.28	.21	
121-2200	H	26 AWG	10	4 Prong	.44	.32	.23	
12BC144	H	24 AWG	4	4 Prong	.42	.30	.22	
12BC146	H	24 AWG	6	4 Prong	.44	.32	.23	
12BC150	H	24 AWG	10	4 Prong	.49	.35	.26	
12BC164	H	22 AWG	4	4 Prong	.44	.32	.23	
12BC166	H	22 AWG	6	4 Prong	.49	.35	.26	
12BC170	H	22 AWG	10	4 Prong	.55	.40	.29	

- Zipcord leads (black and white)

12BC015	I	24 AWG	4	4 Prong	.37	.26	.20	Call
12BC010	I	24 AWG	6	4 Prong	.42	.30	.22	For Quote
12BC016	I	24 AWG	10	4 Prong	.44	.33	.24	For Quote

## EAGLE BATTERY SNAPS

### Molded 5000 Series

A unique 2 piece molded design. Leads are attached to the snaps with copper solderless ring terminals for extra strength and reliability. 7-strand copper conductor (tin overcoated). • UL listed wire

MOUSER STOCK NO.	Fig.	Wire Size	Lead Length (In.)	Contacts	Price Each			
					1	100	1000	10,000
123-5004	J	26 AWG	4	6 Prong	.36	.22	.20	Call For Quote
123-5006	J	26 AWG	6	6 Prong	.36	.22	.20	
123-5008	J	26 AWG	8	6 Prong	.41	.24	.22	
123-5014	K	26 AWG	4	6 Prong	.41	.24	.22	
123-5016	K	26 AWG	6	6 Prong	.39	.23	.21	
123-5018	K	26 AWG	8	6 Prong	.43	.26	.23	

### 6000 Series

#### Features:

- Precision riveting-no cracks or bursts
- Conforms to IEC standards
- Pull tested to withstand 18 lbs. of force from any direction
- Crimp leads eliminate cold solder joints
- Leads made of UL listed wire with overcoated conductor to minimize corrosion
- Jacket color: silver

123-6004	L	26 AWG	4	6 Prong	.31	.15	.14	Call For Quote
123-6005	L	26 AWG	5	6 Prong	.32	.16	.15	
123-6006	L	26 AWG	6	6 Prong	.33	.17	.16	
123-6008	L	26 AWG	8	6 Prong	.36	.18	.17	

### Molded PREMIUM 7000 Series

A unique 2 piece molded design. Leads are attached to the snaps with copper solderless ring terminals for extra strength and reliability.

#### Features:

- High reliability 6 prong nickel plated brass snaps
- UL/CSA 1007 24 AWG stripped and tinned wire
- Attractive white housing with light blue cover
- Solderless ring terminals eliminate cold solder joints

123-7014	M	24 AWG	4	6 Prong	.83	.42	.38	Call For Quote
123-7016	M	24 AWG	6	6 Prong	.83	.42	.38	
123-7020	M	24 AWG	10	6 Prong	.89	.45	.42	

### Molded 8000 Series

Introducing a 2 piece molded battery snap with a modern look. The 26 AWG leads are crimped to nickel-plated brass contacts for extra reliability and strength.

#### Features:

- Housing material: ABS plastic
- Lead wire: UL 1007 26 AWG

#### Specifications:

- Contact strength: 3.31 lbs.
- Contact resistance: 25 mΩ @ max 10mA DC

123-8006	N	26 AWG	6	5 Prong	.39	.24	.21	Call
----------	---	--------	---	---------	-----	-----	-----	------

## KEYSTONE VERTICAL "9 VOLT" PC CONNECTOR

#### Features:

- One piece construction
- Wave solderable
- Anti-wicking design

#### Material:

- Contacts: steel, nickel plated
- PC pins: brass, tin plated
- Insulator: gray fiber .062

MOUSER STOCK NO.	Fig.	Description	Price Each			
			1	100	500	1000
534-968	O	9 volt PC connector	1.01	.50	.43	Call

## DUAL BATTERY SNAP

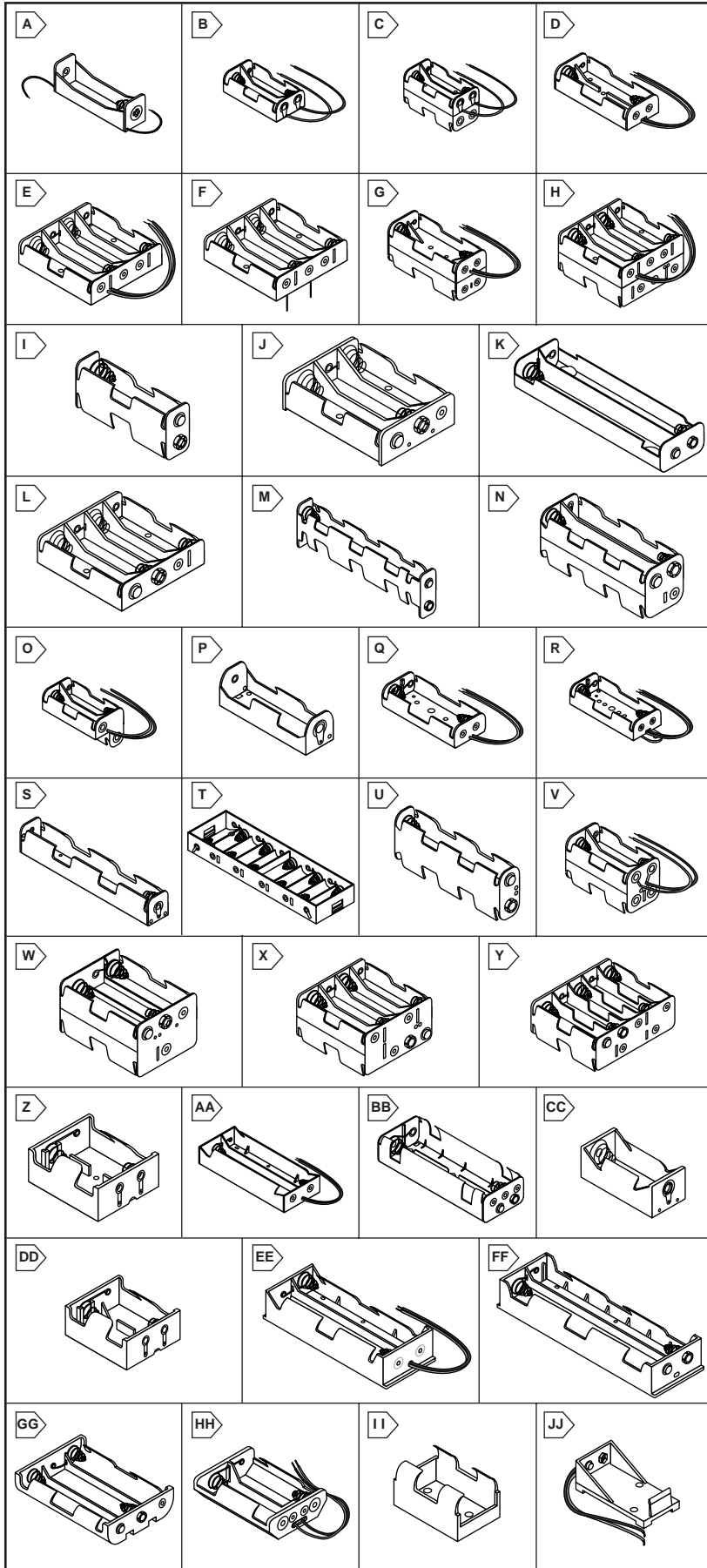
MOUSER STOCK NO.	Fig.	Description	Price Each			
			1	10	100	500
534-227	P	Parallel 9V dual battery snap	1.43	1.18	1.08	Call

## PCB SNAP-ONS

Mounts directly to edge of PC board

534-635	Q	PCB snap-ons, male connector	.22	.19	.16	Call
534-636	R	PCB snap-ons, female connector	.27	.23	.19	

# EAGLE Battery Holders



Battery holders are constructed using an "unbreakable" type plastic. Nickel-plated hardware provides excellent corrosion resistance from battery acid.

**Snap Size:** Large = Male .275" (O.D.) Mini = Male .225" (O.D.)  
Female .250" (I.D.) Female .205" x (I.D.)

## "N" SIZE BATTERY HOLDERS

**Standard** For quantities greater than listed, call for quote.

MOUSER STOCK NO.	Fig.	No. of Cells	Color	Description	Price Each		
					1	10	100
12BH510	A	1	Black	6" leads-tinned 3/16"	.58	.39	.35
12BH511	A	1	Black	Solder tabs	.58	.39	.35
12BH512	A	1	Black	PC mount-solder legs	.58	.39	.35
12BH521	B	2	Black	6" leads-tinned 3/16"	.58	.52	.48
12BH541	C	4	Black	6" leads-tinned 3/16"	.95	.86	.79

## "AAA" SIZE BATTERY HOLDERS

**Standard** For quantities greater than listed, call for quote.

MOUSER STOCK NO.	Fig.	No. of Cells	Color	Description	Price Each		
					1	10	100
12BH410	A	1	Black	6" leads-tinned 3/16"	.45	.37	.31
12BH411	A	1	Black	Solder tabs	.58	.39	.35
12BH412	A	1	Black	PC mount-solder legs	.59	.39	.36
12BH421	D	2	Black	6" leads-tinned 3/16"	.69	.65	.57
12BH423	D	2	Black	PC mount-solder legs	.69	.65	.57
12BH424	D	2	Black	Mini snaps spaced .50"	.69	.65	.57
12BH441	E	4	Black	6" leads-tinned 3/16"	1.49	1.34	1.24
12BH442	F	4	Black	PC mount-solder legs	1.79	1.61	1.49
12BH443	G	4	Black	6" leads-tinned 3/16"	.99	.89	.83
12BH481	H	8	Black	6" leads-tinned 3/16"	1.28	1.15	1.07

## "AA" SIZE BATTERY HOLDERS

**High Reliability** For quantities greater than listed, call for quote.

MOUSER STOCK NO.	Fig.	No. of Cells	Color	Description	Price Each		
					1	10	100
12BH321	I	2	White	Mini snaps spaced .50"	1.42	1.18	1.07
12BH333	J	3	Black	Mini snaps spaced .50"	2.35	1.96	1.78
12BH334	J	3	Black	6" leads-tinned 3/16"	2.66	2.22	2.02
12BH344	K	4	White	Mini snaps spaced .50"	2.53	2.11	1.92
12BH352	K	4	White	Solder tabs	2.20	1.83	1.66
12BH447	L	4	Black	Mini snaps spaced .50"	2.56	2.13	1.94
12BH362	M	6	White	Mini snaps spaced .50"	2.09	1.74	1.58
12BH363	M	6	White	6" leads-tinned 3/16"	2.41	2.01	1.83
12BH382	N	8	Black	Mini snaps spaced .50"	2.45	2.04	1.85
12BH332	O	3	White	4.5" leads-tinned 3/16"	2.42	2.02	1.84

## Standard

For quantities greater than listed, call for quote.

MOUSER STOCK NO.	Fig.	No. of Cells	Color	Description	Price Each		
					1	10	100
12BH348	L	4	Black	6" leads-tinned 3/16"	.85	.65	.59
12BH349	L	4	Black	PC mount-solder legs	.85	.65	.59
12BH351	L	4	Black	Solder tabs	.85	.65	.59
12BH347	L	4	Black	Mini snaps spaced .50"	.85	.65	.59
12BH335	O	3	Black	6" leads-tinned 3/16"	.84	.64	.58
12BH311	P	1	Black	Solder tabs	.61	.46	.39
12BH325	Q	2	Black	6" leads-tinned 3/16"	.62	.56	.51
12BH323	R	2	Black	6" leads-tinned 3/16"	.67	.60	.55
12BH324	S	2	Black	Solder tabs	.65	.49	.41
12BH309	T	10	Black	Solder tabs	2.00	1.67	1.52
12BH341	U	4	Black	Mini snaps spaced .50"	.74	.56	.50
12BH350	V	4	Black	6" leads-tinned 3/16"	.79	.61	.55
12BH361	W	6	Black	Mini snaps spaced .50"	1.07	.82	.75
12BH381	X	8	Black	Mini snaps spaced .50"	1.30	1.08	.98
12BH310	Y	10	Black	Mini snaps spaced .50"	1.60	1.32	1.19

## "C" SIZE BATTERY HOLDERS

**High Reliability** For quantities greater than listed, call for quote.

MOUSER STOCK NO.	Fig.	No. of Cells	Color	Description	Price Each		
					1	10	100
12BH221	Z	2	White	Solder tabs	2.20	1.83	1.66
12BH249	AA	4	White	8" leads-tinned 3/16"	2.92	2.43	2.21
12BH265	BB	6	White	8" leads-tinned 3/16"	3.42	2.85	2.59

## Standard

For quantities greater than listed, call for quote.

12BH261	BB	6	Black	Mini snaps spaced .50"	1.59	1.32	1.20
12BH263	BB	6	Black	6" leads-tinned 3/16"	1.59	1.32	1.20

## "D" SIZE BATTERY HOLDERS

**High Reliability** For quantities greater than listed, call for quote.

MOUSER STOCK NO.	Fig.	No. of Cells	Color	Description	Price Each		
					1	10	100
12BH111	CC	1	White	Solder tabs	1.60	1.33	1.21
12BH122	DD	2	White	Solder tabs	2.59	2.16	1.96
12BH145	EE	4	White	8" leads-tinned 3/16"	4.38	3.65	3.32
12BH161	FF	6	White	Lg. snaps spaced 1.32"	4.52	3.77	3.43
12BH162	GG	6	White	Lg. snaps spaced 1.32"	5.23	4.36	3.96

## Standard

For quantities greater than listed, call for quote.

12BH121	DD	2	Black	Solder tabs	1.09	.90	.79
12BH123	HH	2	Black	8" leads-tinned 3/16"	1.29	1.16	1.08

## "9V" SIZE BATTERY HOLDERS

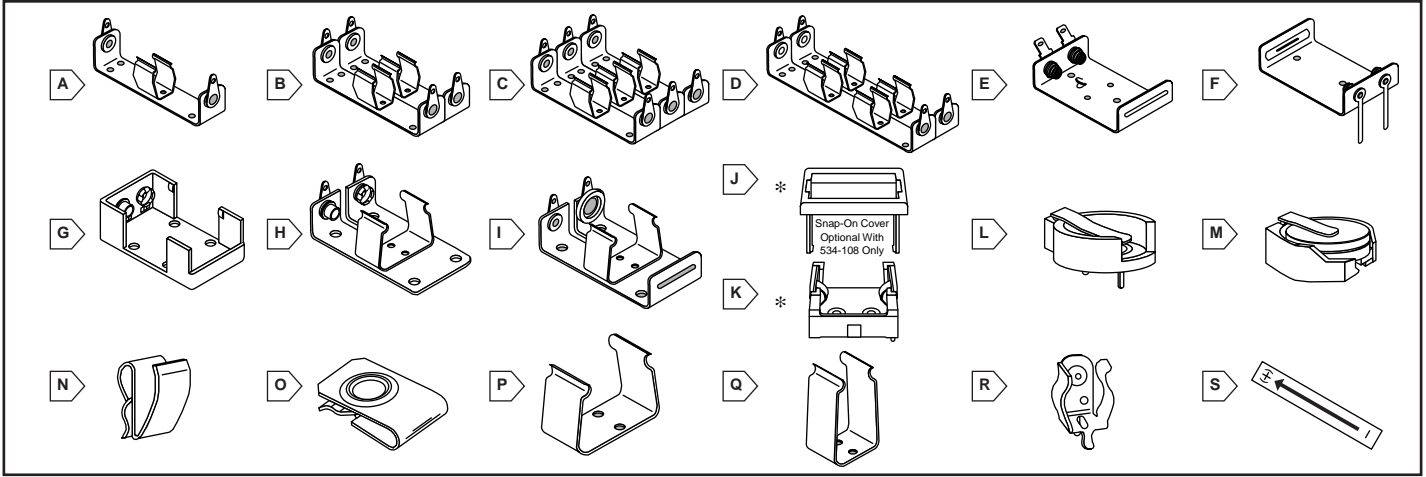
**High Reliability** For quantities greater than listed, call for quote.

12BH614	II	1	Black	Cradle (no leads)	1.97	1.64	1.49
---------	----	---	-------	-------------------	------	------	------

## Standard

For quantities greater than listed, call for quote.

12BH610	JJ	1	Black	6" leads-tinned 3/16"	.99	.89	.79
12BH611	JJ	1	Black	PC mount-solder legs	.99	.89	.79



## "AA" SIZE BATTERY HOLDERS

For quantities greater than listed, call for quote.

MOUSER STOCK NO.	Fig.	No. of Cells	Description	Price Each		
				1	10	100
534-139	A	1	Aluminum battery holder	.74	.62	.57
534-140	B	2	Aluminum battery holder	1.41	1.31	1.14
534-146	B	2	Aluminum battery holder in series	1.82	1.52	1.42
534-171	C	3	Aluminum battery holder	2.33	2.03	1.77
534-147	C	3	Aluminum battery holder in series	3.16	2.63	2.33
534-192	D	4	Aluminum battery holder	2.26	1.95	1.70
534-148	D	4	Aluminum battery holder in series	2.80	2.33	2.07

## "C" SIZE BATTERY HOLDERS

For quantities greater than listed, call for quote.

MOUSER STOCK NO.	Fig.	No. of Cells	Description	Price Each		
				1	10	100
534-173	A	1	Aluminum battery holder	.88	.78	.69
534-174	B	2	Aluminum battery holder	1.56	1.35	1.20
534-149	B	2	Aluminum battery holder in series	1.94	1.62	1.53
534-151	D	4	Aluminum battery holder in series	3.02	2.52	2.24

## "D" SIZE BATTERY HOLDERS

For quantities greater than listed, call for quote.

MOUSER STOCK NO.	Fig.	No. of Cells	Description	Price Each		
				1	10	100
534-175	A	1	Aluminum battery holder	1.02	.89	.78
534-176	B	2	Aluminum battery holder	1.83	1.58	1.40

## "6V" SIZE LITHIUM BATTERY HOLDERS

• For Eveready EL223A or equivalent For quantities greater than listed, call for quote.

MOUSER STOCK NO.	Fig.	No. of Cells	Description	Price Each		
				1	10	100
534-223	E	1	Lithium; quick disconnect/solder lug term.	2.00	1.67	1.57
534-224	F	1	Lithium; PC terminals	2.12	1.77	1.62

## "9V" SIZE BATTERY HOLDERS

For quantities greater than listed, call for quote.

MOUSER STOCK NO.	Fig.	No. of Cells	Description	Price Each		
				1	10	100
534-1294	G	1	Glass filled nylon; PC terminals	.80	.73	.64
534-1295	G	1	Glass filled nylon; solder lug terminal	.77	.69	.62
534-1290	H	1	Aluminum; solder terminal	1.22	1.02	.94
534-1291	H	1	Aluminum; PC terminal	1.48	1.23	1.15
534-203	I	1	Aluminum; solder terminal	1.16	.97	.85

## PC BATTERY HOLDERS

• Snap-in design \*UL 94V-0 material For quantities greater than listed, call for quote.

MOUSER STOCK NO.	Fig.	No. of Cells	Description	Price Each		
				1	10	100
534-108A	J	1	Cover only	.40	.39	.32
534-108	K	1	1/2 "AA" size	1.53	1.26	1.12
534-1028	K	1	"AA" size	1.52	1.27	1.06

## PC MOUNT COIN CELL BATTERY HOLDERS

• Contact material: Nickel over copper plated spring steel  
• Housing material: Glass-filled nylon, UL 94V-0 For quantities greater than listed, call for quote.

MOUSER STOCK NO.	Fig.	No. of Cells	Cell Dia.	Fits Battery Types	Price Each		
					1	10	100
534-501	L	2	12mm	BR1216, CR1216, BR1220, CL1220, CR1220, BR1225	1.02	.94	.82
534-502	L	1	16mm	BR1616, CR1616, CR1620, CR1632	.84	.70	.64
534-301	L	1	30mm	BR3032	.89	.83	.69

## PC MOUNT COIN CELL BATTERY HOLDERS

• Made of UL approved glass-filled nylon 94V-0 For quantities greater than listed, call for quote.

MOUSER STOCK NO.	Fig.	Description	Price Each		
			1	10	100
534-500	L	Holds 3-volt cell, .47" dia. x .1"	1.17	.96	.87

MOUSER STOCK NO.	Fig.	No. of Cells	Duracell	Ray-O-Vac Panasonic	Eveready GP	Price Each		
						1	10	100
534-105	L	1	-----	-----	-----	.74	.71	.61
534-1025	L	2	DL2430 DL2450	-----	-----	.99	.86	.69
534-106	L	1	DL2016	BR2016	CR2016	.74	.71	.61
534-1026	L	2	DL2025 DL2032	CR2016 CR2025 BR2032	CR2025 CR2032 CR2032	.99	.86	.69
534-107	L	1	CR2316	BR2320	-----	.74	.71	.61
534-1027	L	2	-----	BR2325 BR2330	-----	.99	.86	.69

## SURFACE MOUNT COIN CELL BATTERY HOLDERS

• Contact material: tin over nickel plated steel  
• Housing material: Nylon, Stanyl-46  
• Temperature rating: -15°C to 282°C For quantities greater than listed, call for quote.

MOUSER STOCK NO.	Fig.	No. of Cells	Cell Dia.	Fits Battery Types	Price Each		
					1	10	100
534-1061	M	1	20mm	2016, 2025, 2032	1.12	1.02	.92
534-1062	M	2	20mm	2016, 2025, 2032	1.12	1.02	.92

## SNAP-ON BATTERY CLIPS

• Self-anchoring  
• Clips over panels from .060" to .070" thick For quantities greater than listed, call for quote.

MOUSER STOCK NO.	Fig.	No. of Cells	Description	Price Each		
				1	10	500
534-204	N	1	"AAA", "AAAA", and "N" snap-on clip	.15	.12	.10
534-209	N	1	"AA" snap-on clip	.25	.12	.10
534-228	O	1	"AA" positive snap-on clip	.19	.09	.08

## BATTERY CLIPS

• Aluminum clips: plain finish • Steel clips: nickel-plated For quantities greater than listed, call for quote.

MOUSER STOCK NO.	Fig.	Fits 9V Size	Dimensions H x W (In.)	Cell Mounts	Material	Price Each		
						1	10	100
534-071	P	.593 x 1.031	.687 x 1.031	Flat / horiz.	.015 steel	.26	.22	.18
534-079	P	.650 x 1.031	.765 x 1.050	Flat / horiz.	.015 steel	.30	.26	.21
534-080	Q	.650 x 1.031	1.187 x .625	Side / vert.	.015 steel	.32	.29	.23
534-095	Q	.625 x 1.000	1.125 x .656	Side / vert.	.025 alum.	.38	.27	.22

## PC BATTERY CLIP

• For "A" and "AA" type batteries with diameters from .531" to .665"  
• .015" spring steel, nickel-plated For quantities greater than listed, call for quote.

MOUSER STOCK NO.	Fig.	No. of Cells	Description	Price Each		
				1	100	500
534-082	R	1	"AAA" and "N" snap-on clip	.17	.11	.09
534-092	R	1	A, AA type battery clip, snap-in design	.17	.11	.09

## POLARITY INDICATOR LABELS

• Pressure sensitive adhesive back • Adheres to all surfaces For quantities greater than listed, call for quote.

MOUSER STOCK NO.	Fig.	Description	Price Each		
			1	100	500
534-058	S	Labels measure .25" x 1.375"	.05	.027	.023

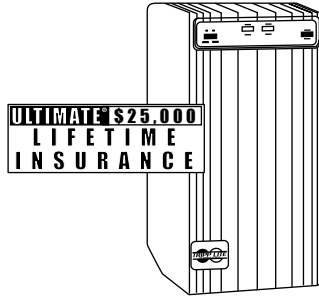


NEW THIS ISSUE NEW THIS ISSUE NEW THIS ISSUE NEW THIS ISSUE NEW THIS ISSUE

## BC PERSONAL AND BC INTERNET UPS SYSTEMS

### Features:

- Complete protection against blackouts, brownouts, surges, spikes, and EMI/RFI line noise
- Smallest footprint, ultra-compact design
- Diagnostic LEDs alert you to UPS operating conditions
- Internet models feature RJ11 jacks for superior surge, spike, EMI/RFI protection on your internet connection
- \$25,000 Ultimate Lifetime Insurance for connected equipment

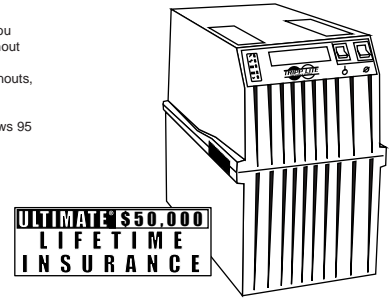


MOUSER STOCK NO.	Outlets	Output VA	Backup Time 1/2 Load (min.)	Weight (lbs)	Price Each	
					1	2
545-200	2	200	28	11	103.55	97.47
545-280	2	280	17	12	122.50	111.72
545-BCINT280	2	280	15	12	130.15	127.55
545-420	4	420	17	14.5	166.25	158.27
545-500	4	500	28	19	217.55	209.48
545-BCINT675	4	675	17	20	284.05	267.33

## OMNISMART LINE INTERACTIVE UPS SYSTEMS

### Features:

- Automatic Voltage Regulation (AVR) keeps you working through brownouts/overvoltages without using battery power
- Complete protection against blackouts, brownouts, surges, spikes, and EMI/RFI line noise
- Includes PowerAlert Unattended Shutdown Software on CD-ROM and cabling for Windows 95 and most other operating systems
- Diagnostic LEDs alert you to UPS operating condition, battery-charge and load status
- \$50,000 Ultimate Lifetime Insurance covers connected equipment

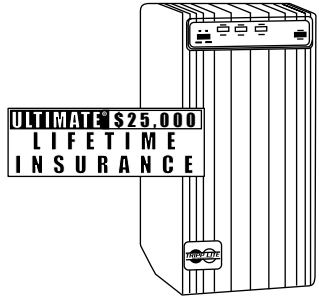


MOUSER STOCK NO.	Outlets	Output VA	Backup Time 1/2 Load (min.)	Weight (lbs)	Price Each	
					1	2
545-OSMART280PNP	4	280	17	13	170.00	155.61
545-OSMART450PNP	4	450	17	15.5	284.00	256.69
545-OSMART675PNP	4	675	17	20.5	350.55	320.63
545-OSMART850PNP	4	850	21	28	445.55	403.80
545-OSMART1050PNP	6	1050	23	37	512.00	463.84
545-OSMART1400PNP	6	1400	21	44	616.55	558.14

## BC PRO UPS SYSTEMS

### Features:

- Complete protection against blackouts, brownouts, surges, spikes, and EMI/RFI line noise
- Network interface port (D89) allows automatic unattended shutdown of any operating system using PowerAlert software; SNMP manageable
- Diagnostic LEDs alert you to UPS operating conditions
- \$25,000 Ultimate Lifetime Insurance for connected equipment

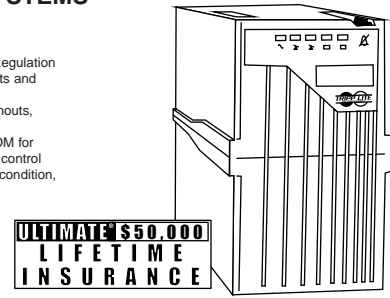


MOUSER STOCK NO.	Outlets	Output VA	Backup Time 1/2 Load (min.)	Weight (lbs)	Price Each	
					1	2
545-450	4	450	17	14.5	189.00	180.00
545-550	4	550	24	19	246.05	227.43
545-675	4	675	17	20	284.05	267.33
545-850	4	850	21	26.5	366.80	352.45
545-1050	6	1050	23	35	426.55	396.34
545-1400	6	1400	24	41.5	540.55	501.41

## SMARTPRO NET UPS SYSTEMS

### Features:

- Multilevel line-interactive Automatic Voltage Regulation (AVR) lets you work through severe brownouts and overvoltages without using battery power
- Complete protection against blackouts, brownouts, surges, spikes, and EMI/RFI line noise
- Includes PowerAlert Plus software on CD-ROM for unparalleled network UPS management and control
- Diagnostic LEDs alert you to UPS operating condition, battery-charge and load status
- Rackmount (RM) models available
- \$50,000 Ultimate Lifetime Insurance covers connected equipment

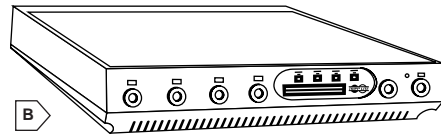
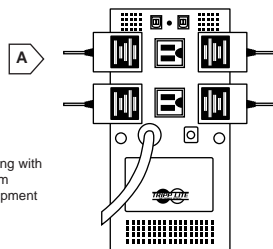


MOUSER STOCK NO.	Outlets	Output VA	Backup Time 1/2 Load (min.)	Weight (lbs)	Price Each	
					1	2
545-SMART450NET	4	450	19	19	350.55	313.65
545-SMART700NET	4	700	20	28	445.55	402.23
545-SMART1050NET	6	1050	23	38	574.54	563.92
545-SMART1050RM	8	1050	23	44	711.55	670.00
545-SMART1400NET	6	1400	25	48	740.00	667.73
545-SMART1400RM	8	1400	26	53	901.55	853.58

## INTERNET OFFICE UPS SYSTEMS

### Features:

- 6 outlets (3 UPS and 3 surge-only) protect your entire computer setup—even laser and inkjet printers!
- Complete protection against blackouts, brownouts, surges, spikes, and EMI/RFI line noise
- Dual RJ11 jacks provide superior surge, spike, EMI/RFI protection on your internet connection
- Wide-spaced outlet configuration accepts bulky transformers without blocking remaining outlets
- Internet Office 420 LP features a low-profile, under-monitor housing with front-panel switches for fingertip control over any computer system
- \$25,000 Ultimate Lifetime Insurance coverage for connected equipment



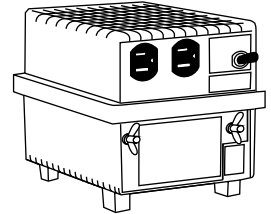
ULTIMATE \$25,000 LIFETIME INSURANCE

MOUSER STOCK NO.	Fig.	Outlets	Output VA	Backup Time 1/2 Load (min.)	Weight (lbs)	Price Each	
						1	2
545-IO325	A	6	325	28	14	166.25	158.27
545-IO450	A	6	450	17	16	179.55	172.90
545-IO420L	B	6	420	17	17	212.80	207.48

## EXTENDED BACKUP UPS SYSTEMS

### Features:

- "Peak Power" performance provides up to 200% of maximum power for short durations, giving adequate power to start AC motors and heavy inductive loads
- Modified sine wave output handles heavy inductive loads
- Use with BP-260 battery case and 98-121 batteries



MOUSER STOCK NO.	Outlets	Output VA	Weight (lbs)	Price Each	
				1	2
545-APS400	2	480	16	279.00	248.71
545-APS750	2	900	20	458.00	408.31
545-APS1250	2	1500	39	727.50	672.22

NEW THIS ISSUE NEW THIS ISSUE NEW THIS ISSUE NEW THIS ISSUE NEW THIS ISSUE

